



DIP COMMON MODE FILTER CKUT Series 插件共模滤波器 CKUT系列

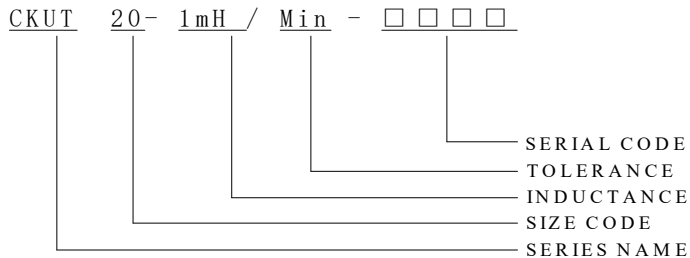
● FEATURES 特性

- 全封闭铁氧体铁芯，无漏磁通，EMI性能优良;
Fully enclosed ferrite core, no leakage magnetic flux, excellent EMI performance;
- 高阻抗，开放式结构，散热效果好;
High impedance, open structure, good heat dissipation effect;
- 通用材料，成本低，快速交付;
General purpose materials, low cost, quick delivery;
- 自动化生产确保高质量和一致性。
Automatic production ensures high quality and consistency.

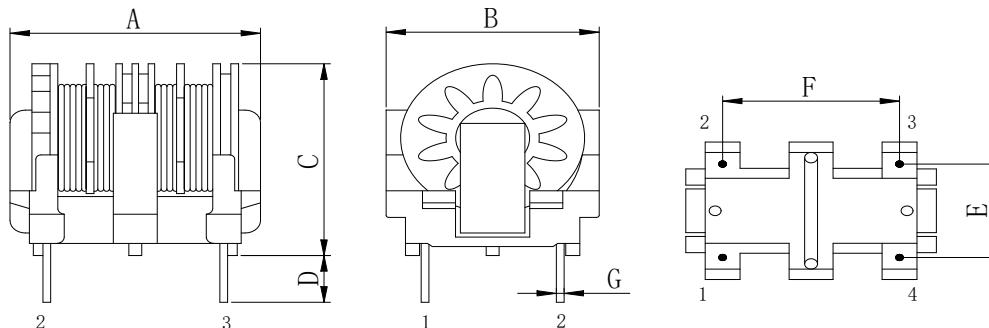
● APPLICATIONS 用途

- 避免交流侧免受开关调节器的影响。
Protects AC side from the affects of switching regulators.
- 用于EMI/RFI扼流圈、输入滤波器。
Useful in a wide variety of EMI/RFI choke,input filter.
- 如果你有定制化需求，请联系我们。
We can customize products according to your requirements. Please consult our sales.

● PART NUMBERING SYSTEM 品名系统



● SHAPES AND DIMENSIONS 外形尺寸 (Unit:mm)



TYPE(型号)	A	B	C	D	E	F	G
CKUT20	22.5Max	17.5Max	23.0Max	4±0.5	10±0.5	13±0.5	0.8±0.1
CKET20	23.0Max	23.0Max	16.0Max	4±0.5	14±0.5	17±0.5	0.8±0.1
CKET24	25.5Max	25.5Max	22.0Max	4±0.5	15±0.5	21±0.5	0.8±0.1